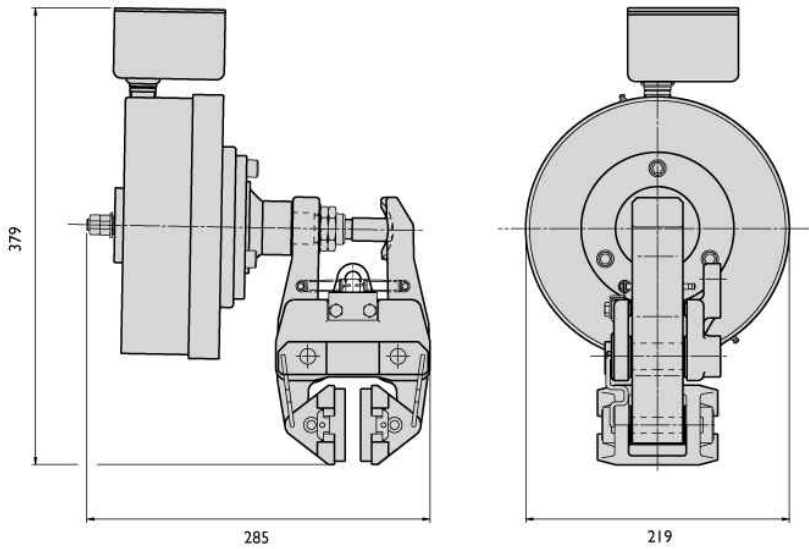




MXSE Spring Applied - Electromagnetically released



The MXSE is suitable for most medium to heavy duty holding and emergency stop applications. The design ensures long life, with fully potted coils protecting against harsh environments. A wide range of coil voltages is available, from 12VDC to 250VDC the standard units being 100VDC. The thruster contains two electromagnet coils. A release coil (high current) and a holding coil (low current). Power is simultaneously applied to both coils in order to release the brake. After 1- 2 seconds the supply voltage to the release coil is removed. The holding coil remains energised, maintaining the brake in its released state.

The brake units should ideally be mounted horizontally (in 3 or 9 o'clock positions) in relation to the disc. The use of an inclined mounting kit will allow the caliper to be mounted at an angle.

The maximum angle the MXSE should be mounted from the horizontal is 10°.

A range of standard discs are available from Twiflex, (see section 4).

Maximum braking force 5.2kN