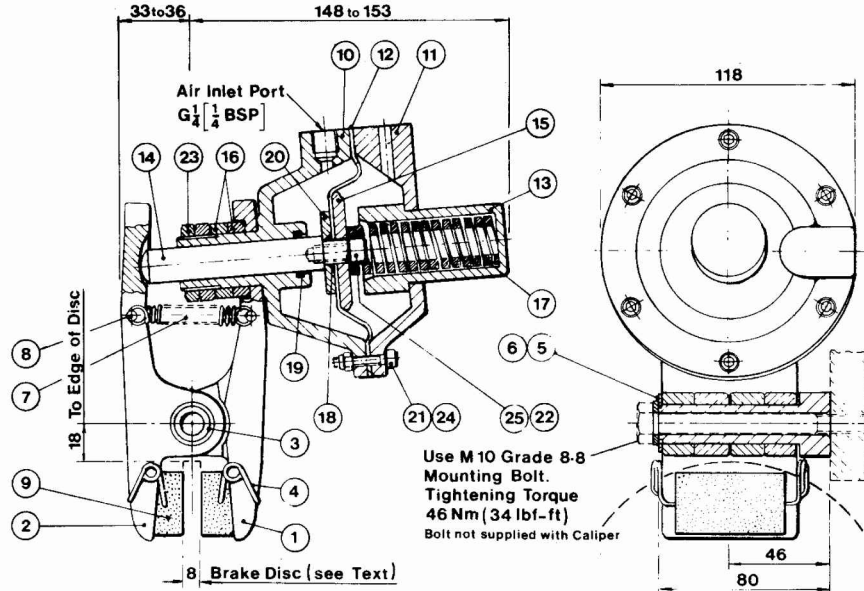




MUS3-DISC BRAKE CALIPER TYPE

**SPRING APPLIED — AIR RELEASED**

Holding duties and occasional stopping.



**Disc Brake Caliper Assembly Type MUS3**

**Parts List**

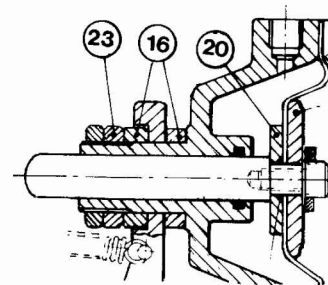
Item	Component	Part No.	Qty.
1	Arm (Thruster Side)	6640177	1
2	Arm (Opposite Side)	6640178	1
3	Pivot Post	8240039	1
4	Pad Retaining Spring	2450093	2
5	3/16" Plain Washer	4700209	1
6	M10 Plain Washer	4700208	1
7	Tension Spring	2400109	2
8	Grooved Pin	3100088	2
9	Brake Pad	7080047	2
10	Front Cap	7240934	1
11	Rear Cap	7240935	1
12	Diaphragm	7200936	1
13	Thruster Spring Cap	7250940	1

Item	Component	Part No.	Qty.
14	Piston Rod	725946	1
15	Piston Rod Plate	7250938	1
16	Spacer	1650494	2
17	Compression Spring	2500190	1
18	O-Ring	6000304	1
19	Quad Seal	6000299	1
20	Pressure Washer	7200976	1
21	M5x25 Skt Hd Cap Screw	5400331	1
22	M8 Light Washer	4700253	1
23	3/4" BSP Nut	5100051	2
24	M5 Nut	5100195	6
25	M8x26 Skt Hd Cap Screw	5400420	1

**Technical Data MUS3:**

Thruster only Part No. 7201126(S3).  
Caliper only Part No. 6780918.  
Complete assembly (Caliper and thruster) Part No. 6780923.  
Weight (complete assembly) — 2.200kg  
Minimum brake disc diameter — 150mm  
Disc thickness (Standard) — 8 to 11mm  
New pad dimensions — 30x50x21mm thick  
No pad wear allowance is provided  
Total pad area — 30cm<sup>2</sup>  
Minimum pressure for full retraction — 2 bar (29 psi)  
Maximum pressure — 7 bar (100 psi)

\*If one of the mounting spacers (Item 16) is repositioned between thruster and caliper, thicker discs up to 13mm can be accommodated. (see scrap view).



**Braking Force** 780 N (175 lbf) at coefficient of friction  $\mu = 0.38$   
Brake torque (Nm) = Braking force (N) x effective disc radius (m).  
(Effective disc radius (m) = actual radius (m) — 0.020).