



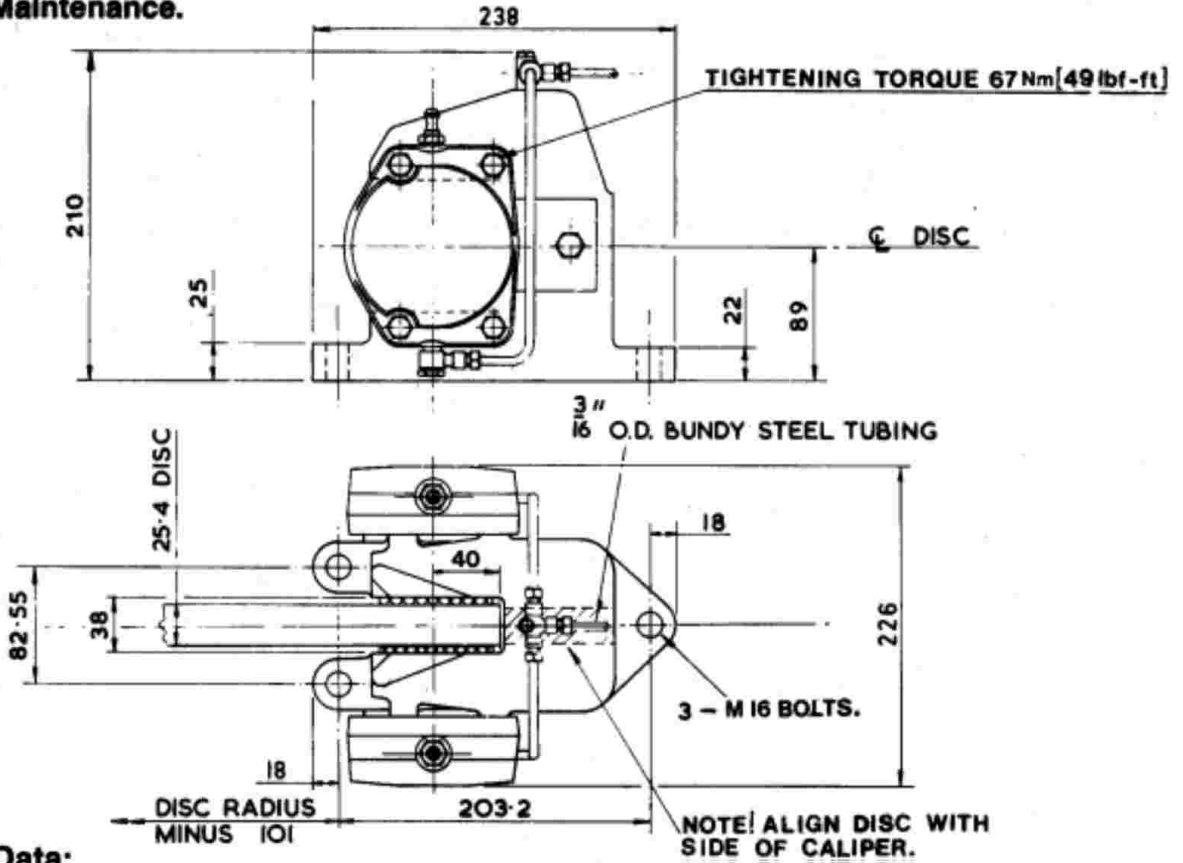
**DISC BRAKE CALIPER TYPE: VC**  
**HYDRAULICALLY APPLIED**

**DB 2002**

Issue 8

Date: July 1988

See Publication Ref. M152 for Installation,  
Operation and Maintenance.



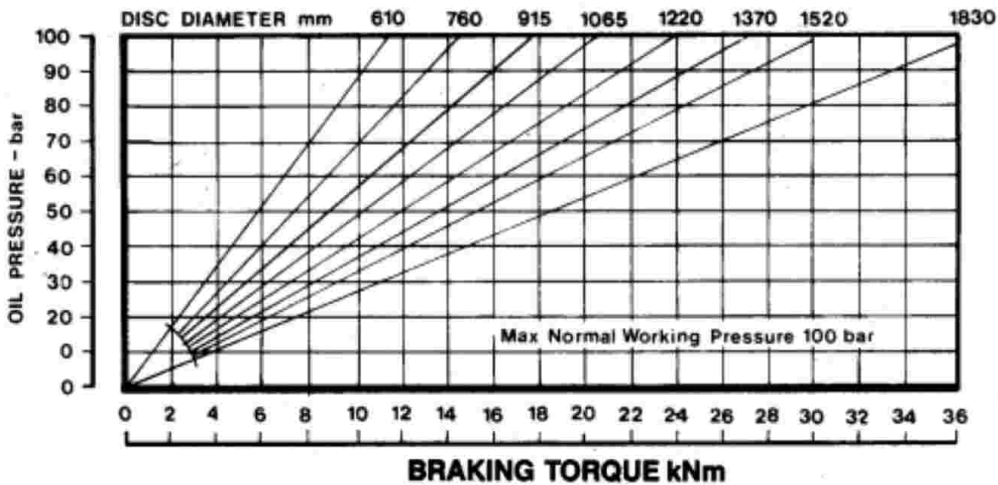
**Performance Data:**

Braking Force: 42 kN at 100 bar oil pressure (normal maximum working pressure).

Braking Torque: (kNm) = Braking Force (kN) × Effective Disc Radius (m).

where Effective Disc Radius (m) = Actual Disc Radius (m) - 0.040.

The above Braking Force figure is based on the standard pad friction coefficient  $\mu=0.4$ .



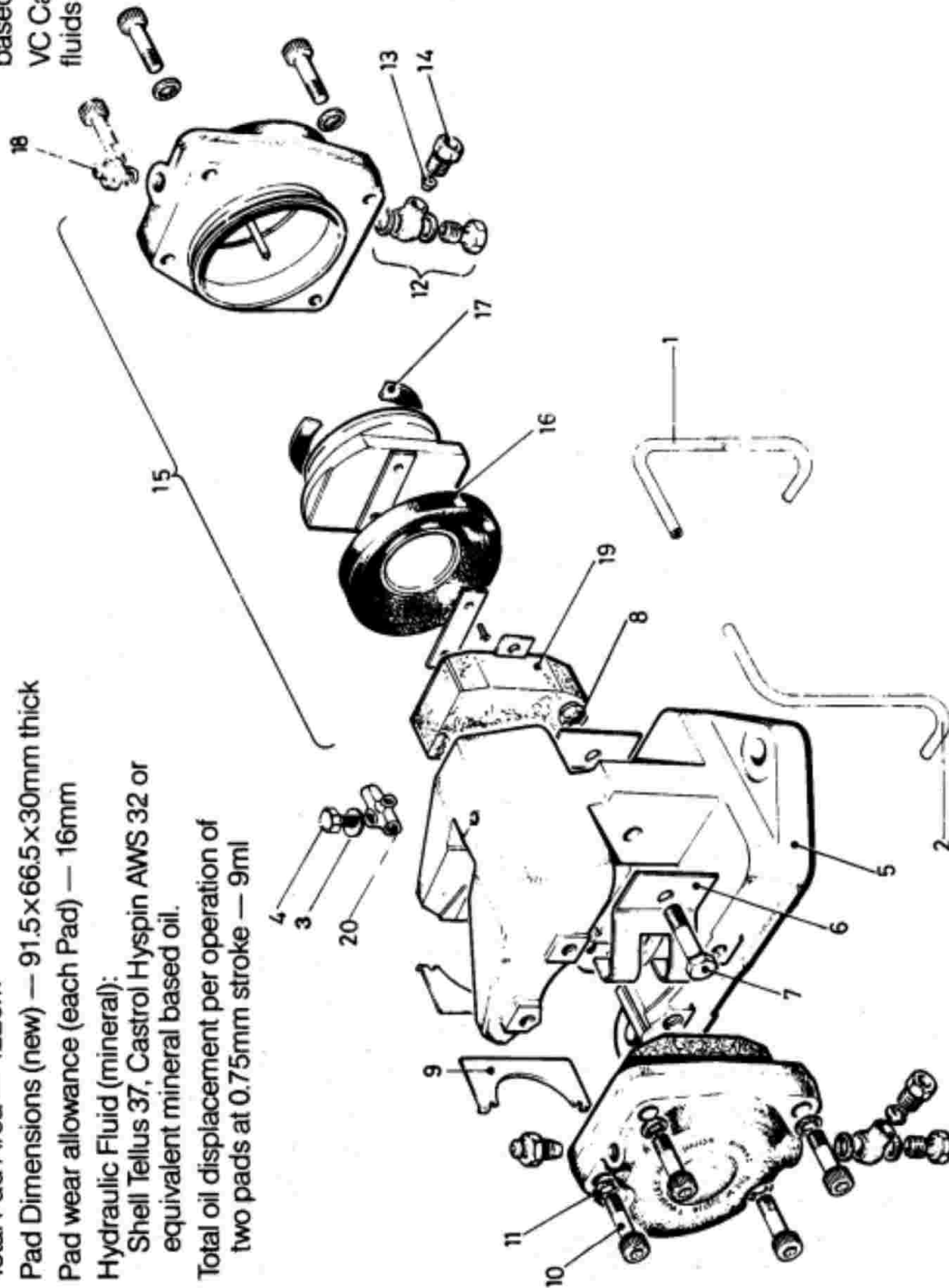
The ratings shown on the above graph are based on fully bedded-in pads.

**IMPORTANT. The caliper must only be used with MINERAL OIL based Hydraulic Fluid.**

Complete VC Brake Caliper Assy. for use with mineral based hydraulic fluids. Part No. 6780250.  
 Marine version of VC caliper for use with mineral based hydraulic fluids. Part No. 6780384.  
 VC Caliper for use with vegetable based hydraulic fluids can also be supplied to special order.

**Parts List for Caliper  
 Part No. 6780250 (mineral)**

| Item | Component               | Part No. | Qty. |
|------|-------------------------|----------|------|
| 1    | Bridge Pipe R.H.        | 7300418  | 1    |
| 2    | Bridge Pipe L.H.        | 7300427  | 1    |
| 3    | Washer                  | 5800031  | 1    |
| 4    | Bolt                    | 5300200  | 1    |
| 5    | Caliper Body            | 6700163  | 1    |
| 6    | Keep Plate              | 6700165  | 2    |
| 7    | Keep Plate Bolt         | 5000143  | 1    |
| 8    | Keep Plate Nut          | 5100034  | 1    |
| 9    | Support Plate           | 7950302  | 2    |
| 10   | Cylinder Cap Screw      | 5400186  | 8    |
| 11   | Spring Washer           | 5800009  | 8    |
| 12   | Banjo Assy.             | 7300447  | 2    |
| 13   | Olive                   | 7300274  | 5    |
| 14   | Tubing Nut              | 7300001  | 5    |
| 15   | Piston & Cylinder Assy. | 6700181  | 2    |
| 16   | Dust Seal               | 6700068  | 2    |
| 17   | Piston Seal             | 6000262  | 2    |
| 18   | Bleed Screw             | 6700217  | 2    |
| 19   | Pad Assy.               | 7080011  | 2    |
| 20   | Tee Connector           | 7300150  | 1    |



**Technical Data:**

Weight: VC Brake Caliper (including Pads) — 20kg  
 Total Pad Area — 122cm<sup>2</sup>  
 Pad Dimensions (new) — 91.5x66.5x30mm thick  
 Pad wear allowance (each Pad) — 16mm  
 Hydraulic Fluid (mineral):  
 Shell Tellus 37, Castrol Hyspin AWS 32 or  
 equivalent mineral based oil.  
 Total oil displacement per operation of  
 two pads at 0.75mm stroke — 9ml

**Spares available:**

2 — Piston and Cylinder Assembly (item 15).  
 for mineral based hydraulic fluids — Part No. 6700181  
 2 — Piston and Cylinder Assembly for  
 vegetable based hydraulic fluids — Part No. 6700182

**DISC BRAKE CALIPER  
 TYPE: VC  
 HYDRAULICALLY APPLIED**

**DB2002**

Issue 8

Date: July 1988