

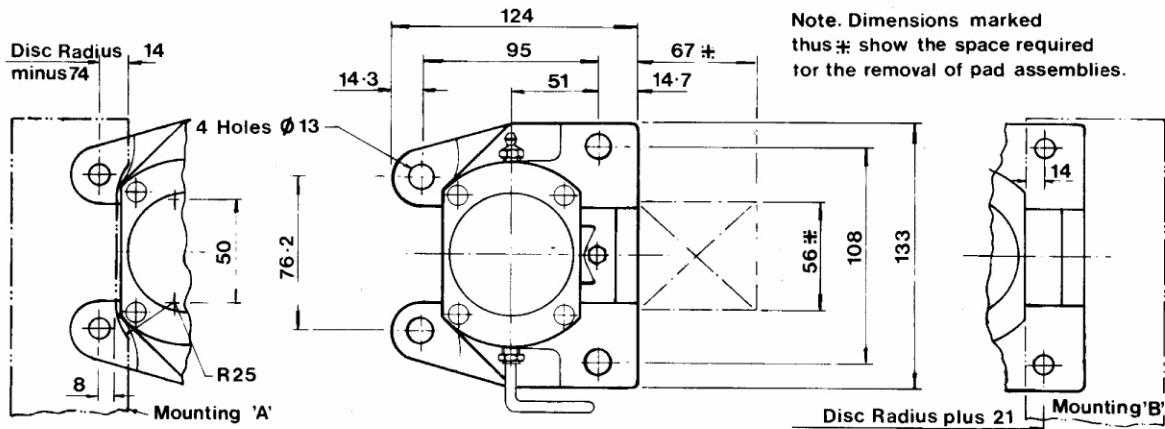
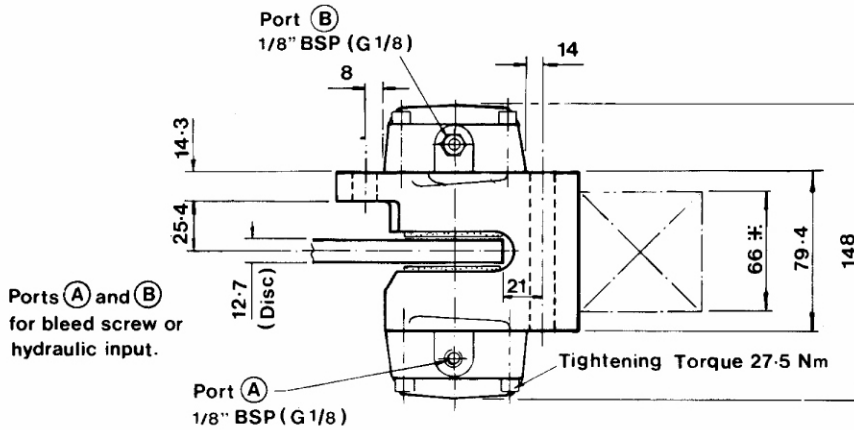


**DISC BRAKE CALIPER TYPE: CE/2**  
**HYDRAULICALLY APPLIED**

**DB 2009**

Issue 7 | Date: Feb 1988

See Publication Ref. M152 for Installation, Operation and Maintenance.



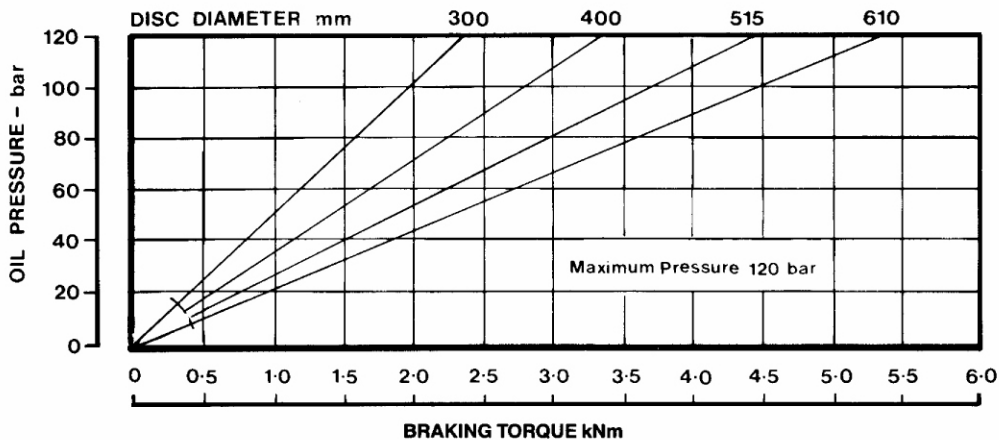
**Performance Data:**

\*Braking Force; 19.6 kN at 120 bar oil pressure (normal maximum working pressure).

Braking Torque (kNm) = Braking Force (kN) × Effective Disc Radius (m).

where Effective Disc Radius (m) = Actual Disc Radius (m) - 0.030.

The above Braking Force figure is based on the standard pad friction coefficient  $\mu=0.4$ .



The ratings shown on the above graph are based on fully bedded-in pads.  
**IMPORTANT. This caliper must only be used with MINERAL OIL BASED HYDRAULIC FLUID**