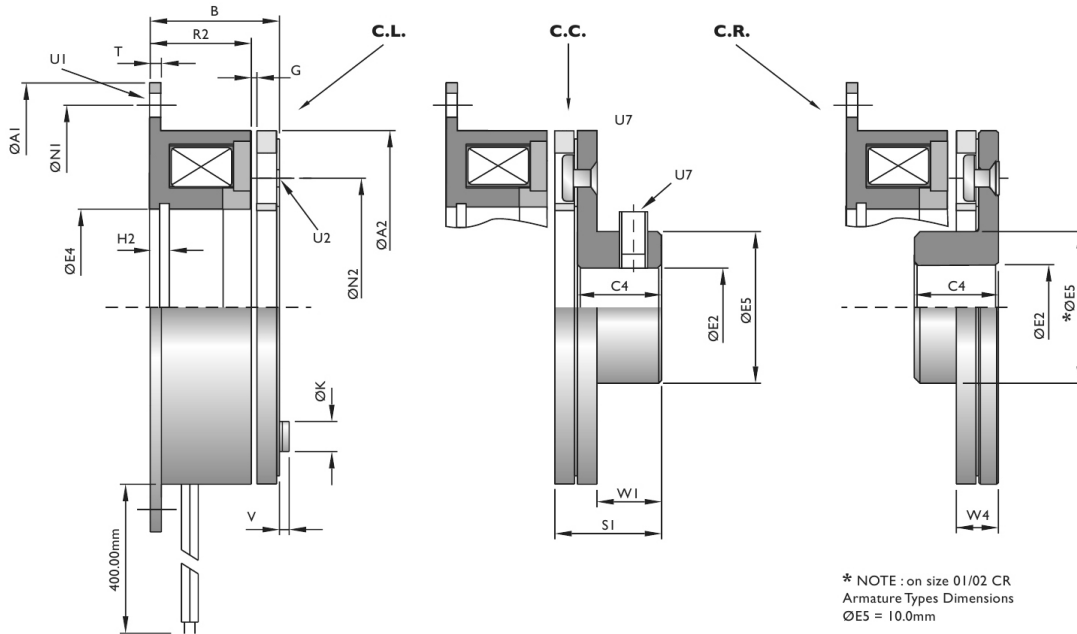




BRAKE TYPE 52 FIELD MOUNTING: F.M.



| Size | Tro. TS (Nm) | Max P20 (w) | A1 h9 | A2 | B | C4 | MAX E2 H7 | E4 H8 | E5 | G | H2 | K | N1 | N2 | R2 | S1 | T | U1 x4 | U2 | U7 | V | W1 | W4 |
|------|--------------|-------------|-------|------|------|----|-----------|-------|----|------|-----|-----|------|------|----|------|-----|-------|--------|----|-----|------|-----|
| 00 | 0.30 | 5 | 38 | 28.6 | 17 | 7 | 6.5 | 11 | 10 | 0.1 | - | 5 | 33.3 | 19.5 | 14 | 9.7 | 1.5 | 3.2 | 2x2.6 | M3 | 1 | 4.5 | 4.7 |
| 01 | 0.60 | 6 | 38 | 30 | 18.5 | 10 | 6.5 | 11.5 | 12 | 0.1 | - | 5 | 33.3 | 19.5 | 16 | 12.8 | 1.5 | 3.2 | 2x2.6 | M3 | 1 | 8 | - |
| 02 | 0.75 | 6 | 45 | 32 | 19.5 | 10 | 6.5 | 13 | 12 | 0.1 | 3 | 5 | 38 | 23 | 17 | 12.8 | 2 | 3.5 | 3x2.6 | M3 | 1.5 | 8 | 4.8 |
| 03 | 1.20 | 8 | 54 | 40 | 23.2 | 12 | 10 | 19 | 17 | 0.15 | 3.2 | 6.1 | 47 | 30 | 20 | 15.3 | 2 | 3.5 | 3x3.1 | M3 | 1.5 | 9.5 | 5.8 |
| 04 | 1.60 | 8 | 62 | 42 | 23.2 | 12 | 10 | 19 | 17 | 0.15 | - | 6.1 | 54 | 29 | 20 | 15.3 | 2 | 5 | 2x3.1 | M3 | 1.5 | 9.5 | 5.8 |
| 05 | 3 | 10 | 65 | 50 | 25.2 | 12 | 15 | 26 | 24 | 0.2 | 3.2 | 6.1 | 58 | 38 | 22 | 15.3 | 2 | 3.5 | 3x3.1 | M4 | 1.5 | 9.5 | 6 |
| 06 | 8 | 12 | 80 | 63 | 22 | 15 | 17 | 35 | 27 | 0.2 | 3.5 | 6.1 | 72 | 46 | 18 | 19 | 2 | 4.5 | 3x3.1 | M5 | 1.5 | 11.5 | 7.5 |
| 07 | 8 | 12 | 89 | 66.5 | 36 | 15 | 17 | 27 | 27 | 0.2 | - | 6.1 | 79.5 | 46 | 32 | 19 | 2 | 5 | 3x3.1 | M5 | 1.5 | 11.5 | - |
| 08 | 16 | 18 | 100 | 80 | 24.5 | 20 | 20 | 42 | 32 | 0.2 | 4.3 | 8 | 90 | 60 | 20 | 24.7 | 2.5 | 5.3 | 3x4.1 | M5 | 2 | 16 | 8.7 |
| 10 | 32 | 25 | 125 | 100 | 28 | 25 | 30 | 52 | 42 | 0.2 | 5 | 9 | 112 | 76 | 22 | 30 | 3 | 6.5 | 3x5.1 | M6 | 2 | 19 | 11 |
| 11 | 32 | 25 | 143 | 105 | 44 | 25 | 30 | 47.6 | 42 | 0.2 | - | 9 | 127 | 76 | 38 | 30 | 3 | 7.5 | 3x5.1 | M6 | 2 | 19 | - |
| 12 | 65 | 32 | 150 | 125 | 31 | 30 | 35 | 62 | 49 | 0.3 | 5.5 | 10 | 137 | 95 | 24 | 37.2 | 3.5 | 6.5 | 3x6.1 | M6 | 2.5 | 24 | 13 |
| 13 | 65 | 32 | 165 | 125 | 39 | 30 | 35 | 52.4 | 49 | 0.3 | - | 10 | 149 | 95 | 33 | 37.2 | 3.5 | 10.2 | 3x6.1 | M6 | 2.5 | 24 | - |
| 16 | 120 | 45 | 190 | 160 | 35 | 38 | 40 | 80 | 65 | 0.3 | 6 | 13 | 175 | 120 | 26 | 48 | 4 | 9 | 3x8.2 | M8 | 9 | 30 | 16 |
| 20 | 240 | 60 | 230 | 200 | 41.6 | 48 | 60 | 100 | 92 | 0.5 | 7 | 16 | 215 | 158 | 30 | 59 | 5 | 9 | 3x10.2 | M8 | 11 | 39 | 20 |

Keyways to B.S. 4235 • Circlip Grooves to B.S. 3673 • Insulation Class B

